

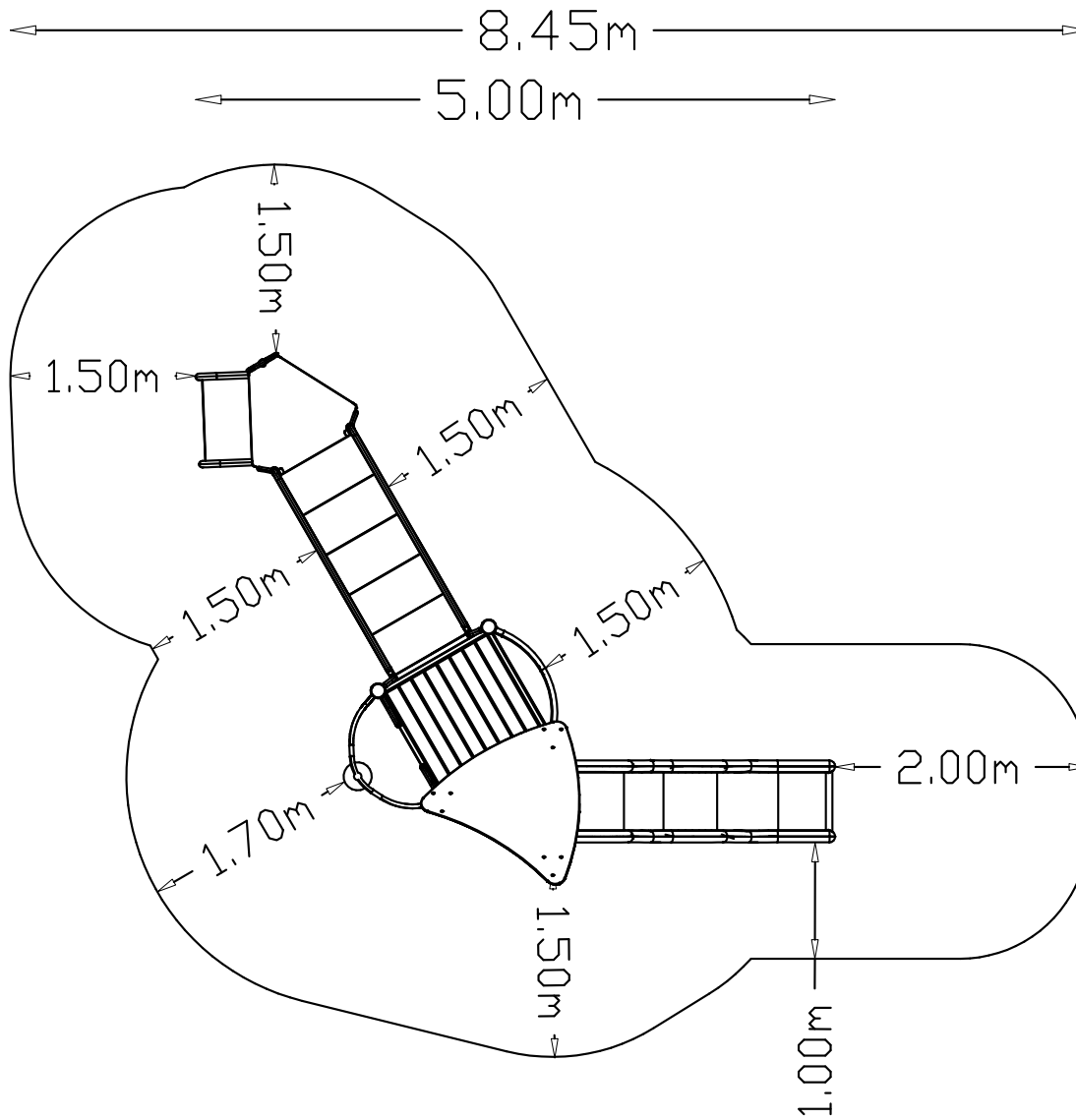
S6

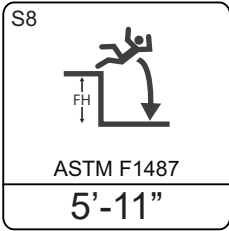


EN1176

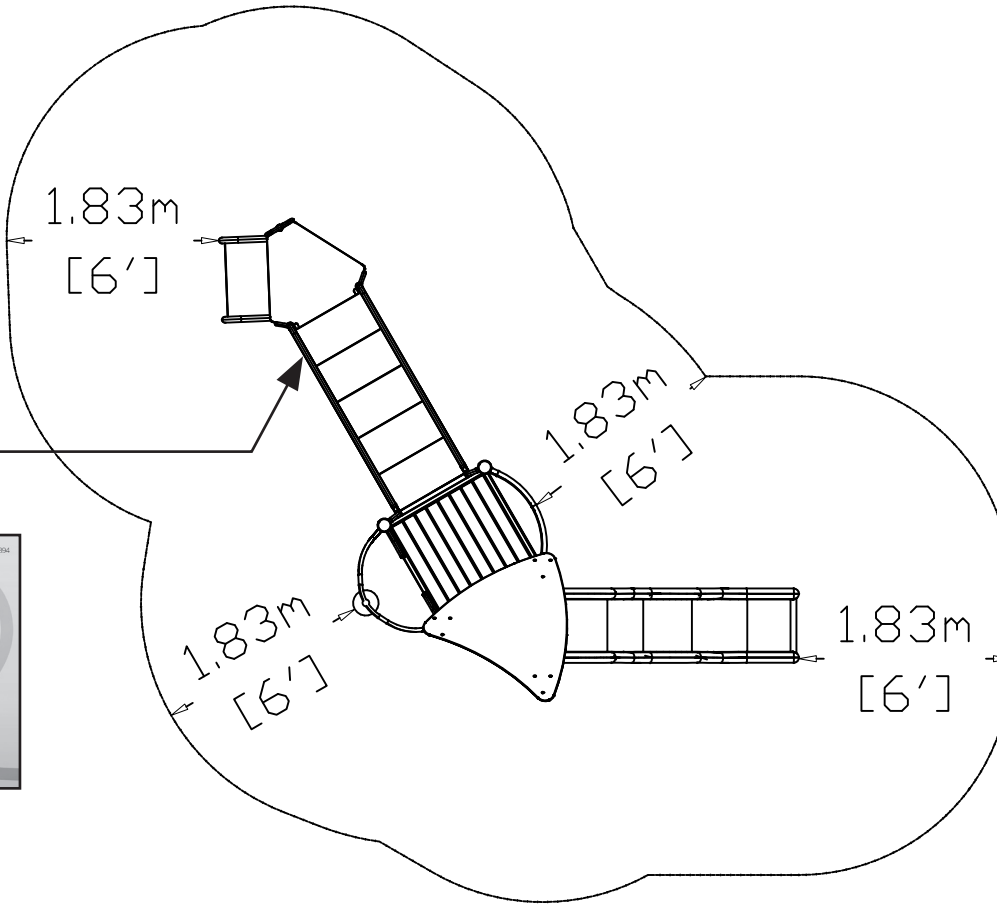
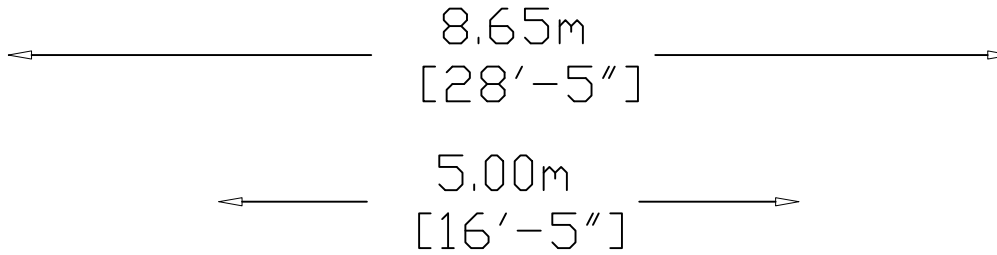
1.80m

# EN1176





# ASTM F1487



**INSTALL**

**101**

**WARNING**  
Playground equipment should not be used as a structure, scaffold, or platform. Children should not play on or climb on the equipment. Do not use the equipment as a slide or as a structure to climb on. Do not use the equipment as a structure to climb on. Do not use the equipment as a structure to climb on.

**WARNING**  
Children are required to use the equipment in a safe manner. Do not use the equipment as a structure to climb on. Do not use the equipment as a structure to climb on. Do not use the equipment as a structure to climb on.


**WARNING**  
All playground equipment and rubber surfacing must be installed and maintained in accordance with the manufacturer's instructions. Do not use the equipment as a structure to climb on. Do not use the equipment as a structure to climb on. Do not use the equipment as a structure to climb on.

**WARNING**  
Playground equipment should not be used as a structure, scaffold, or platform. Children should not play on or climb on the equipment. Do not use the equipment as a slide or as a structure to climb on. Do not use the equipment as a structure to climb on. Do not use the equipment as a structure to climb on.

**play smart® rules**  
Do not play on broken or damaged equipment. Report it. Do not play without adequate safety supervision. Do not use the equipment as a structure to climb on. Do not use the equipment as a structure to climb on. Do not use the equipment as a structure to climb on.

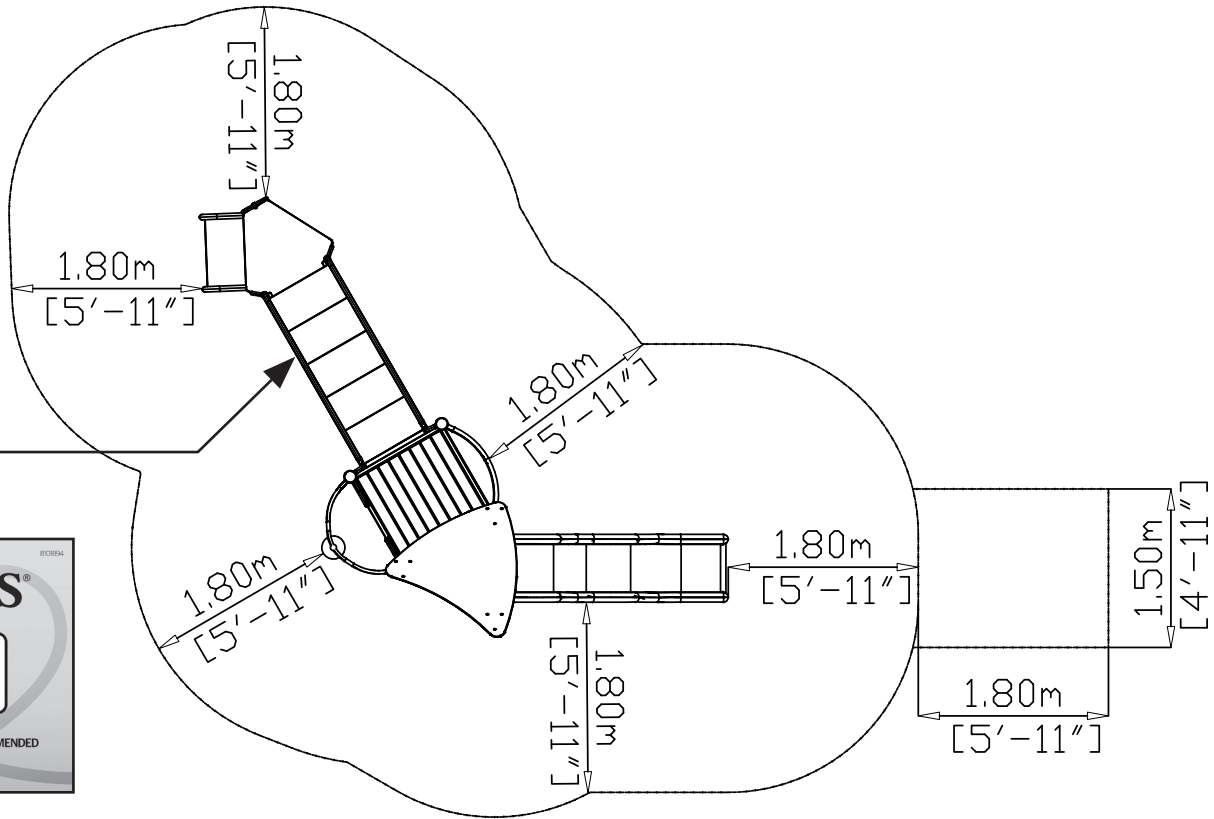
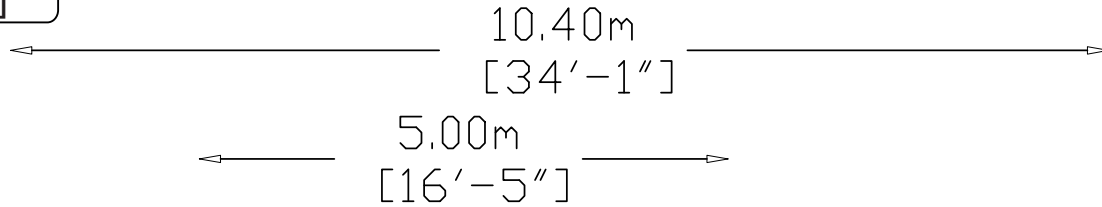


S9



CSA Z 614  
2.45m  
[8'-1/2"]

# CSA Z614





**INSTALL 101**

<p><b>WARNING</b></p> <p>Playground equipment used for entertainment purposes only. Not to be used as a climbing structure or for other purposes. Read the instructions and safety warnings carefully before using this equipment. Do not use for purposes other than intended. Do not use for climbing or other activities unless specifically designed for such use.</p> <p><b>WARNING</b></p> <p>Children are required to use this equipment under close supervision of an adult. Do not allow children to play unsupervised. Do not allow children to play on the equipment if they are injured, ill, or otherwise unable to play safely. Do not allow children to play on the equipment if they are wearing jewelry, loose clothing, or shoes that do not meet the safety requirements of the equipment.</p> <p><b>WARNING</b></p> <p>All playground equipment and rubber surfacing must be installed and maintained in accordance with the applicable safety standards. Check for hot surfaces before allowing children to play. Children should wear appropriate shoes at all times.</p> <p><b>WARNING</b></p> <p>Playing high ropes on or over playground equipment can lead to serious injury from falls, collisions, and head strikes. Do not use high ropes on playground equipment. The intention while playing and be careful.</p>	<p><b>play smart! rules</b></p> <p>Do not play on broken or damaged equipment. Report it.</p> <p>Do not play without adequate safety training and/or parental supervision.</p> <p>Do not play on or over the equipment if you are injured, ill, or otherwise unable to play safely.</p> <p>Do not play on or over the equipment if you are wearing jewelry, loose clothing, or shoes that do not meet the safety requirements of the equipment.</p> <p>Do not play on or over the equipment if you are wearing jewelry, loose clothing, or shoes that do not meet the safety requirements of the equipment.</p> <p>Do not play on or over the equipment if you are wearing jewelry, loose clothing, or shoes that do not meet the safety requirements of the equipment.</p> <p>Do not play on or over the equipment if you are wearing jewelry, loose clothing, or shoes that do not meet the safety requirements of the equipment.</p>
---	---

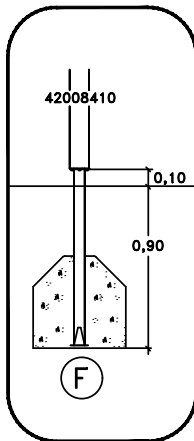
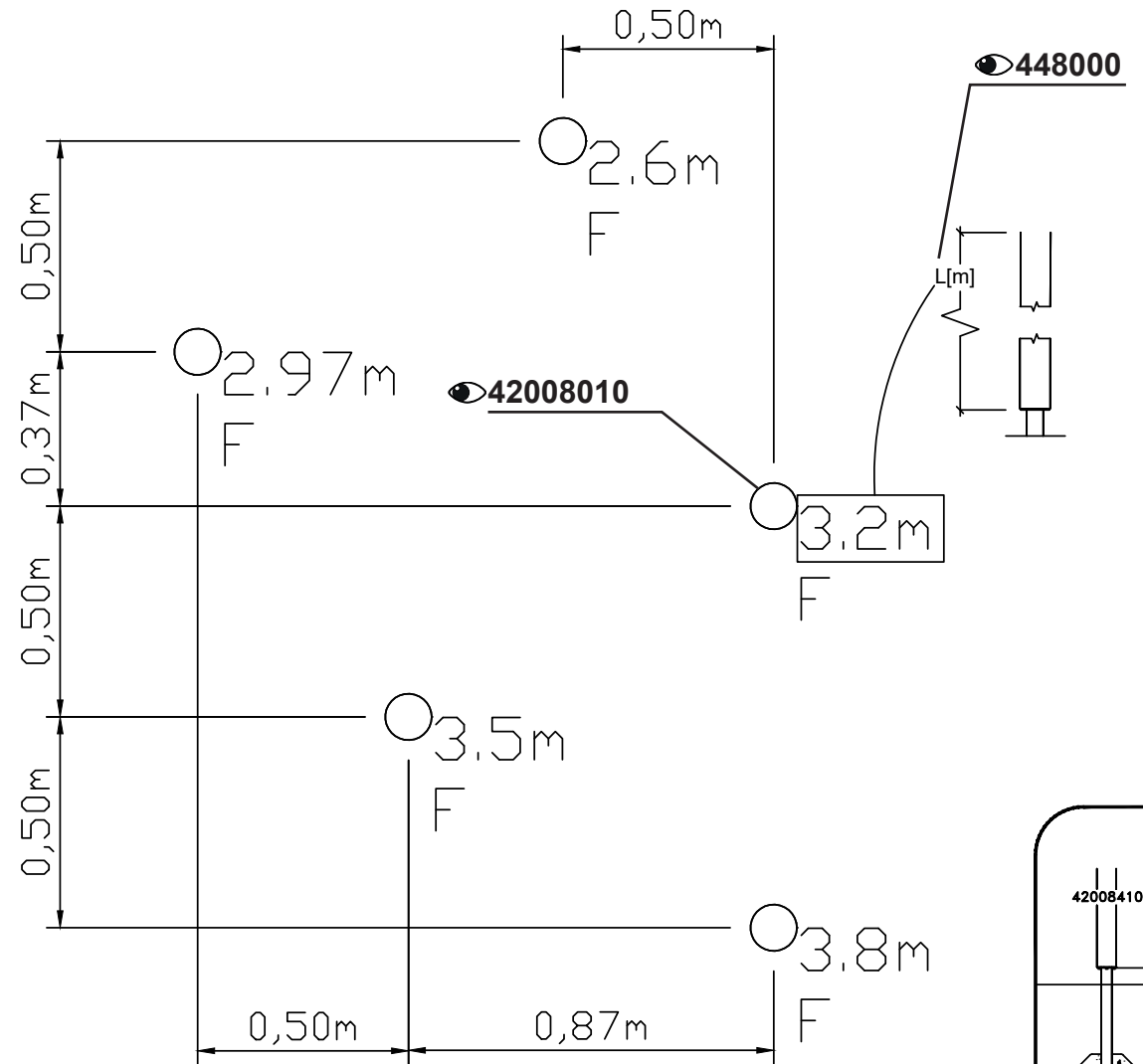
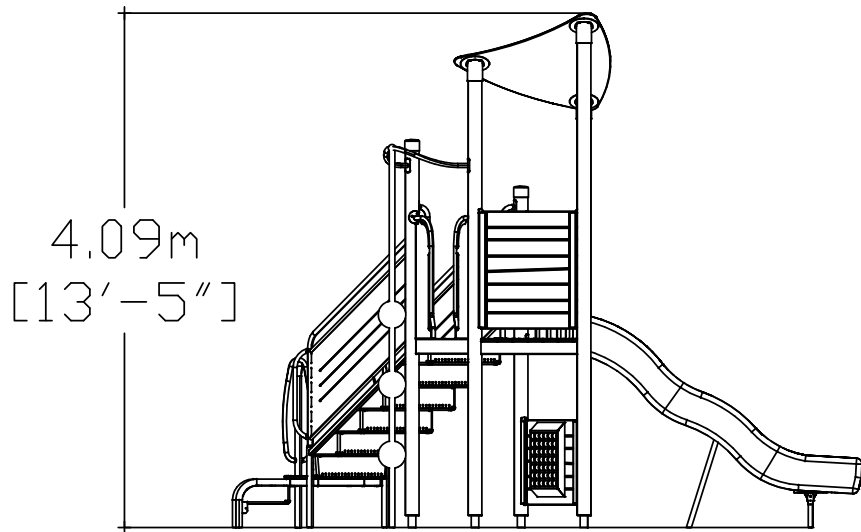
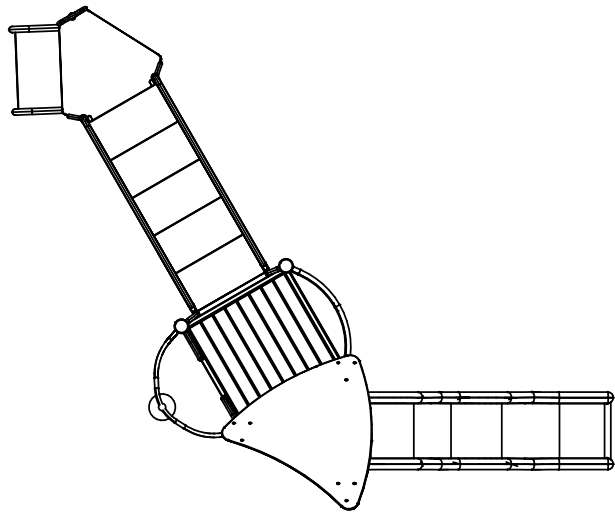
**INSTALL 101**

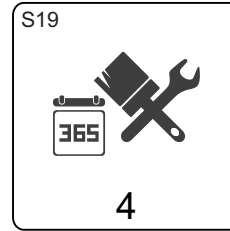
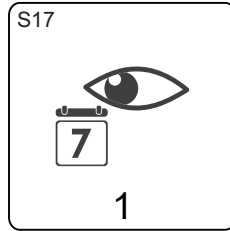
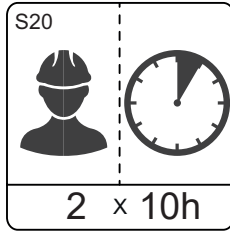
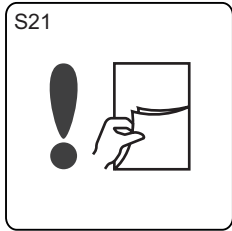


**HAGS®**

FOR KIDS AGES  
**5-12**  
YEARS

ADULT SUPERVISION RECOMMENDED  
[www.hags.com](http://www.hags.com)





## Install 101

**260329**

**420960**

**426162**

**426200**

**448000**

**42008010**

**42275323**

**42475323**

**MA422U77151**

**MA424U77151**

**MA426121**

**MASW103874**

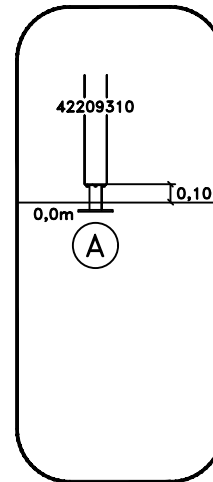
**MASW34156**

**MASW38904**

**MASW39775**

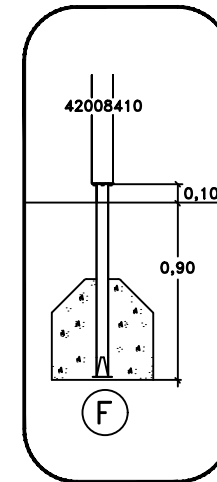
**MASW85869**

 **42008010**



**Above Ground**

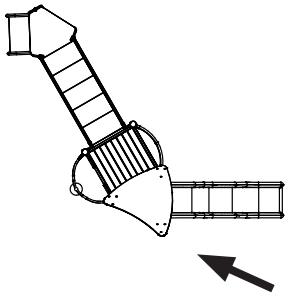
**OM**



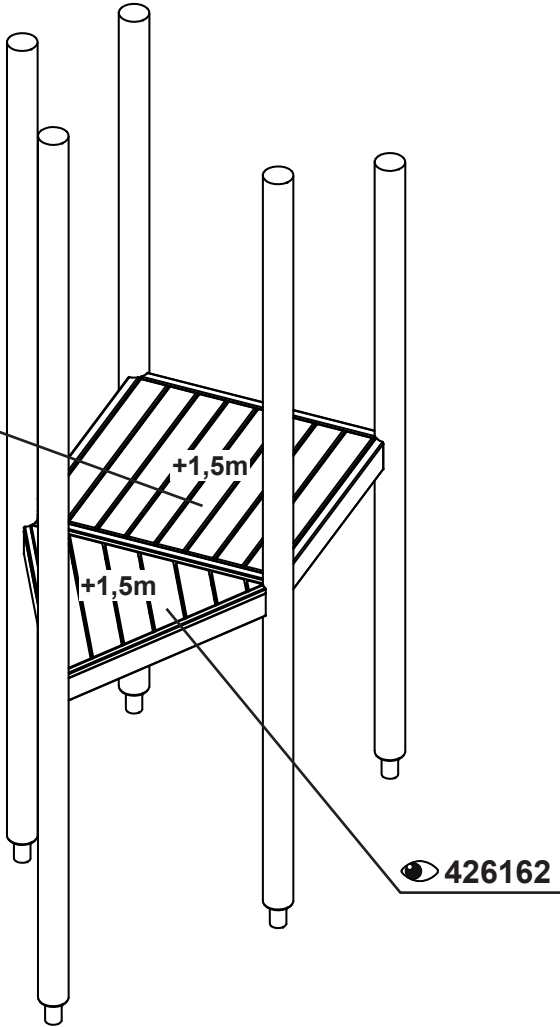
**Cast Loose Fill**

**BM**

**8102008**



MA426121

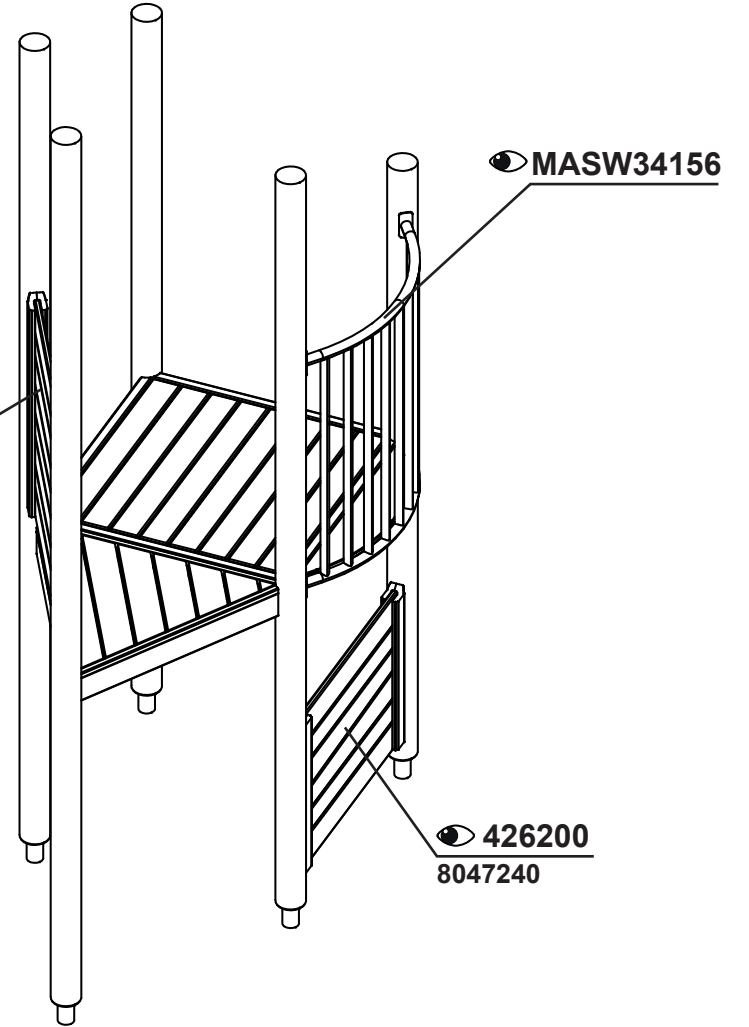


+1,5m

+1,5m

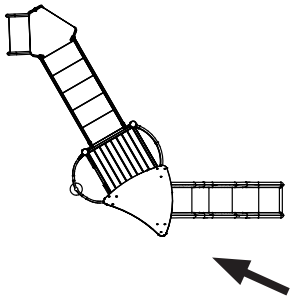
426162

426200  
8047223



MASW34156

426200  
8047240

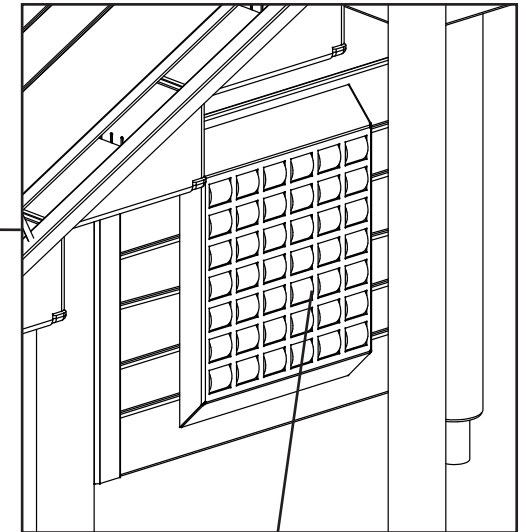
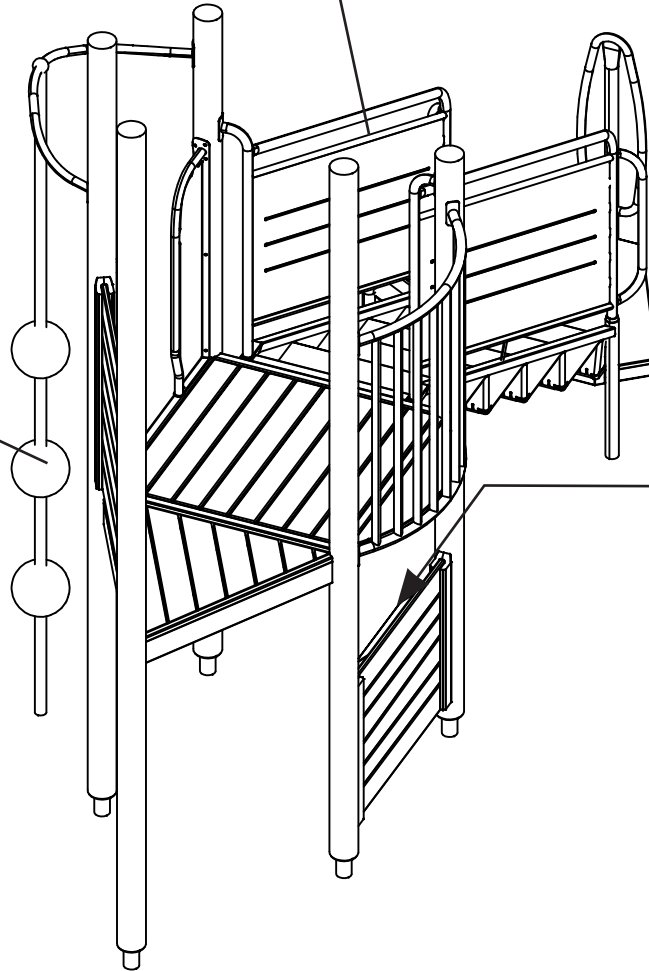


● 42475323 [BM]

● 42275323 [OM]

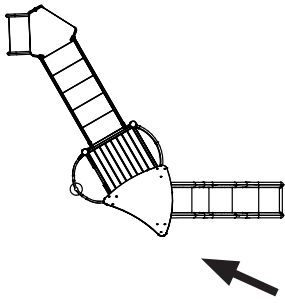
● MA424U77151 [BM]

● MA422U77151 [OM]



● 420960



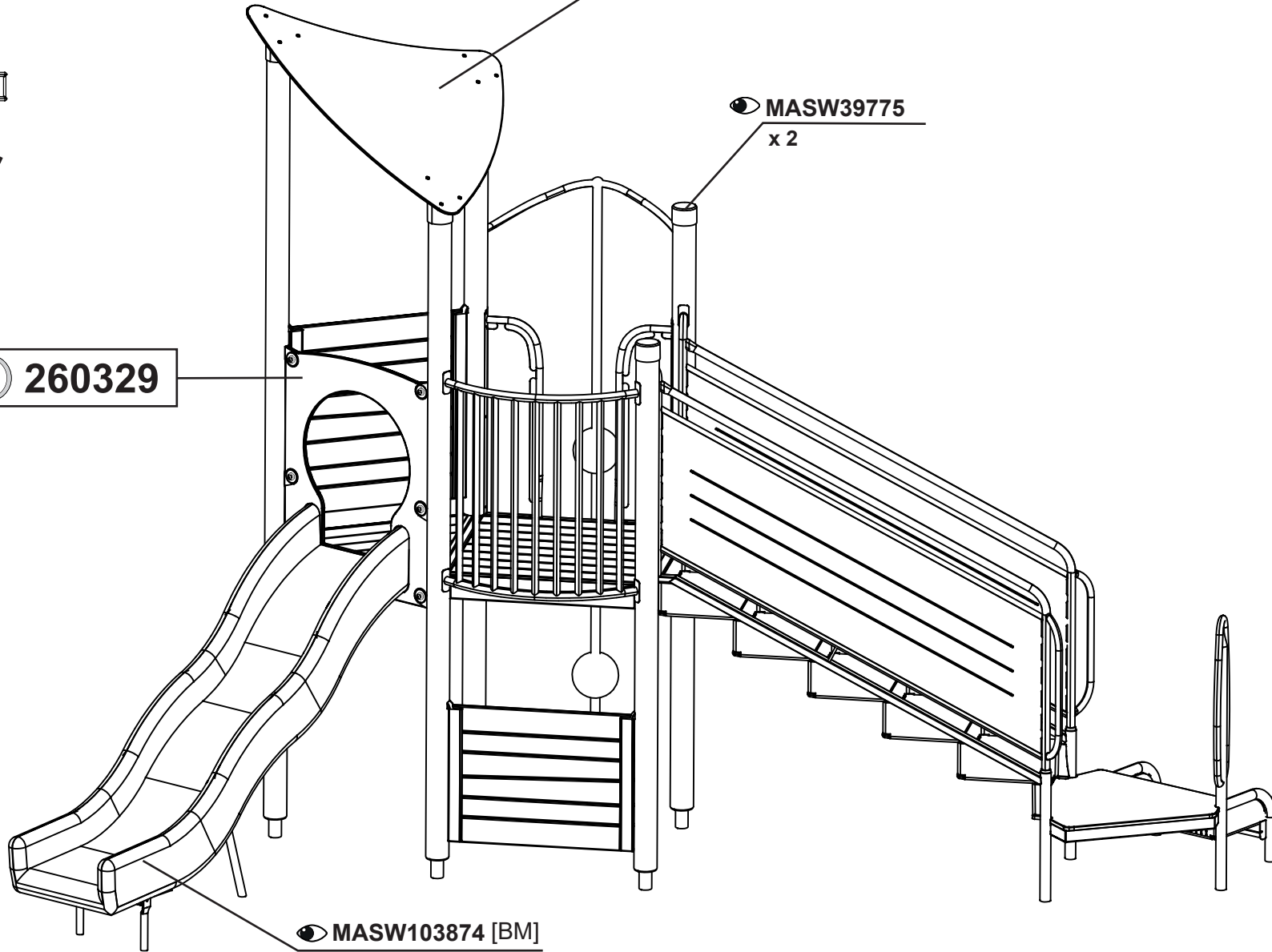


MASW38904

MASW39775

x 2

HAGS  
260329



MASW103874 [BM]

MASW85869 [OM]